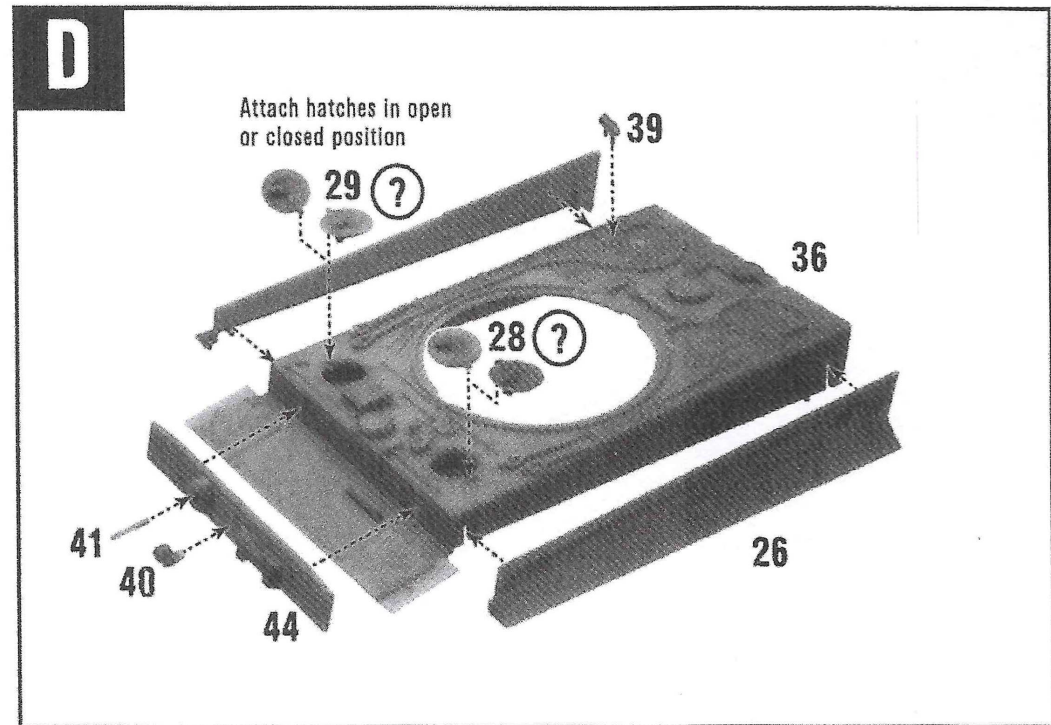
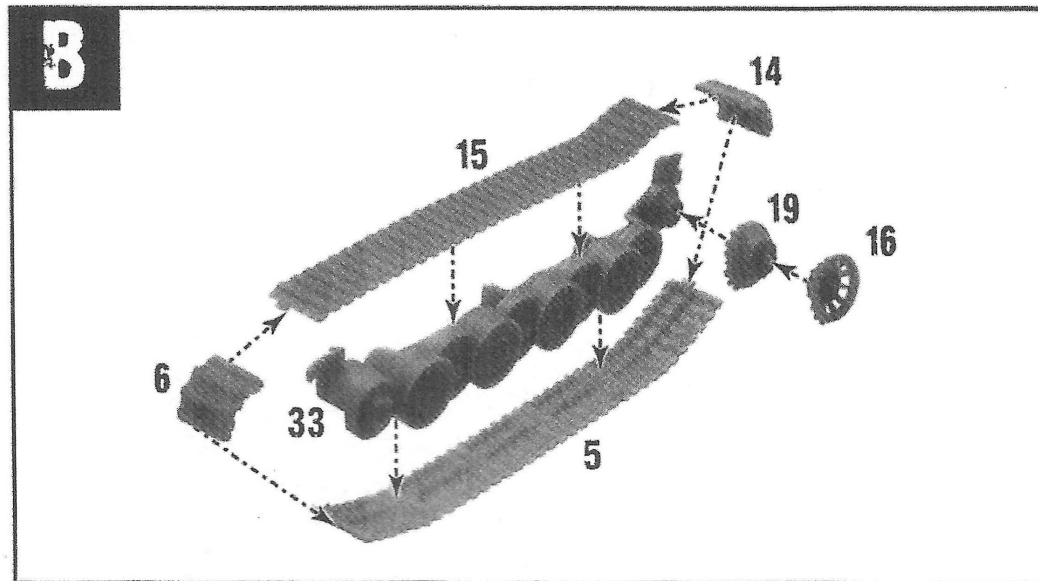
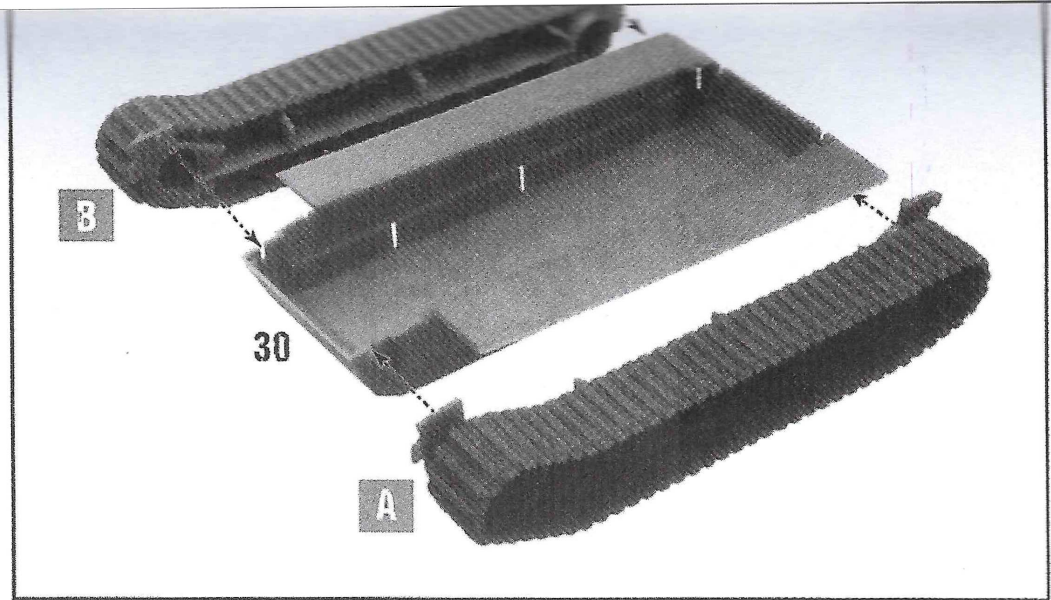
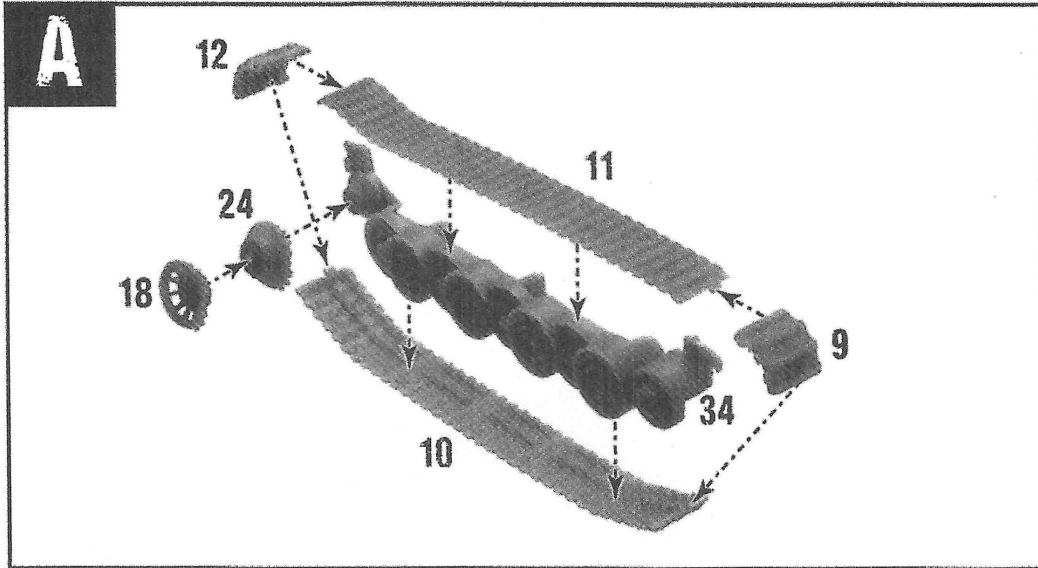
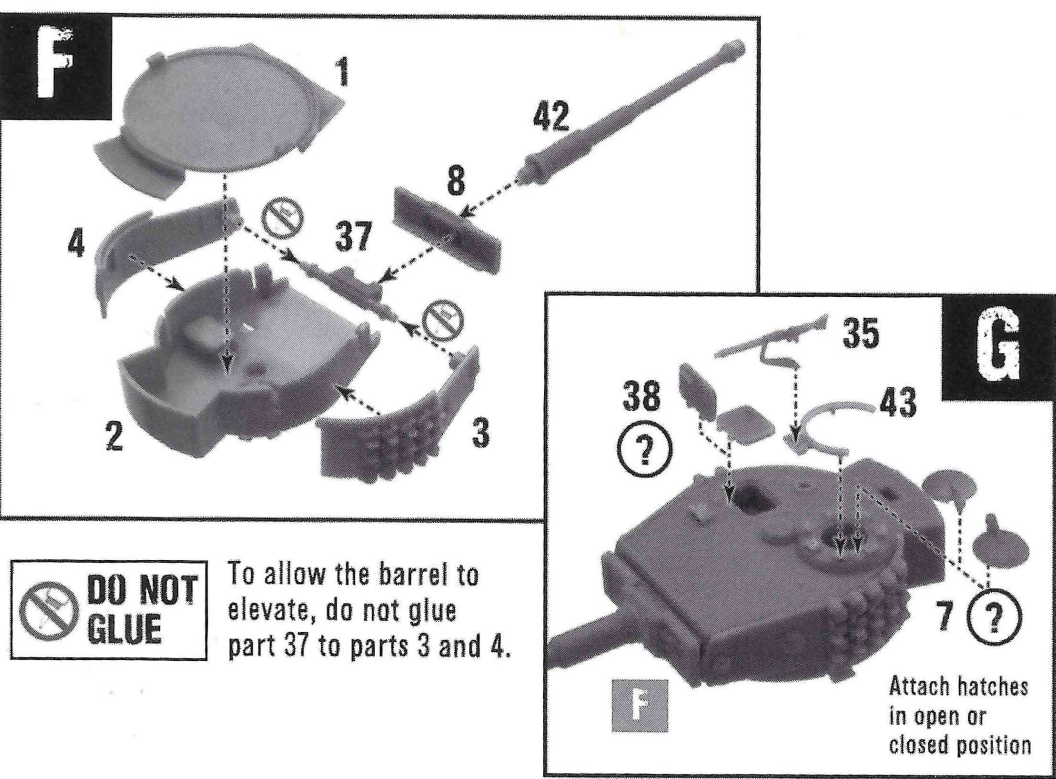
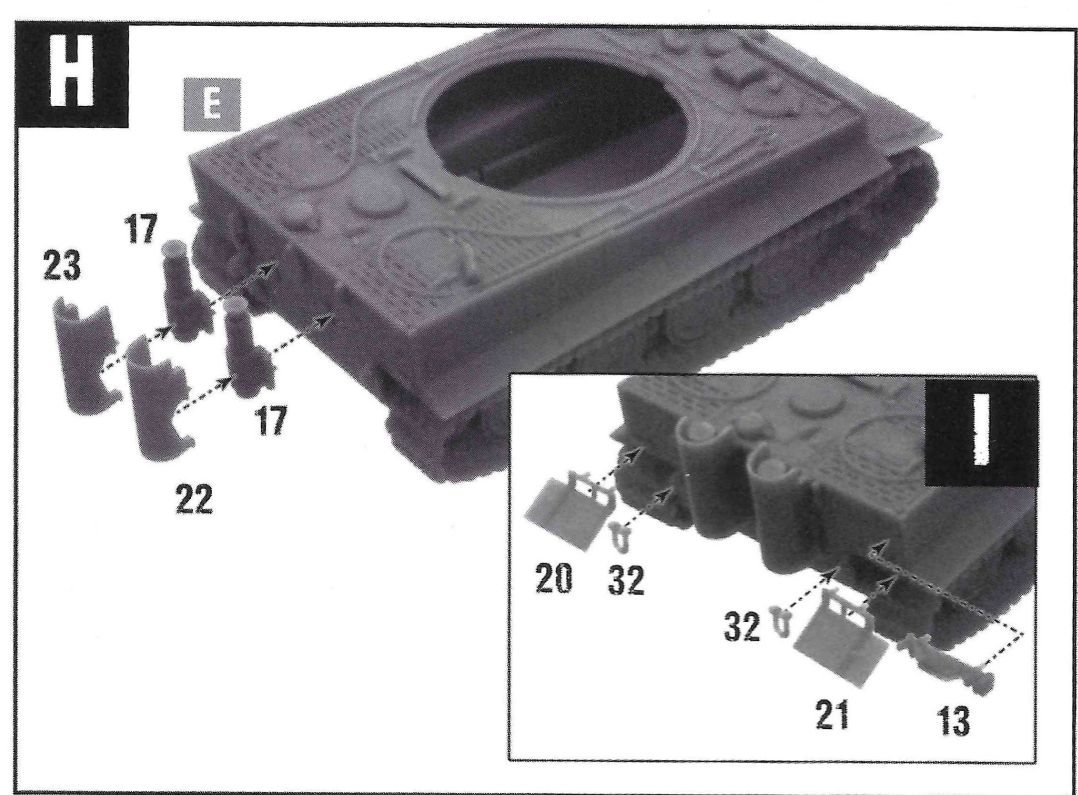
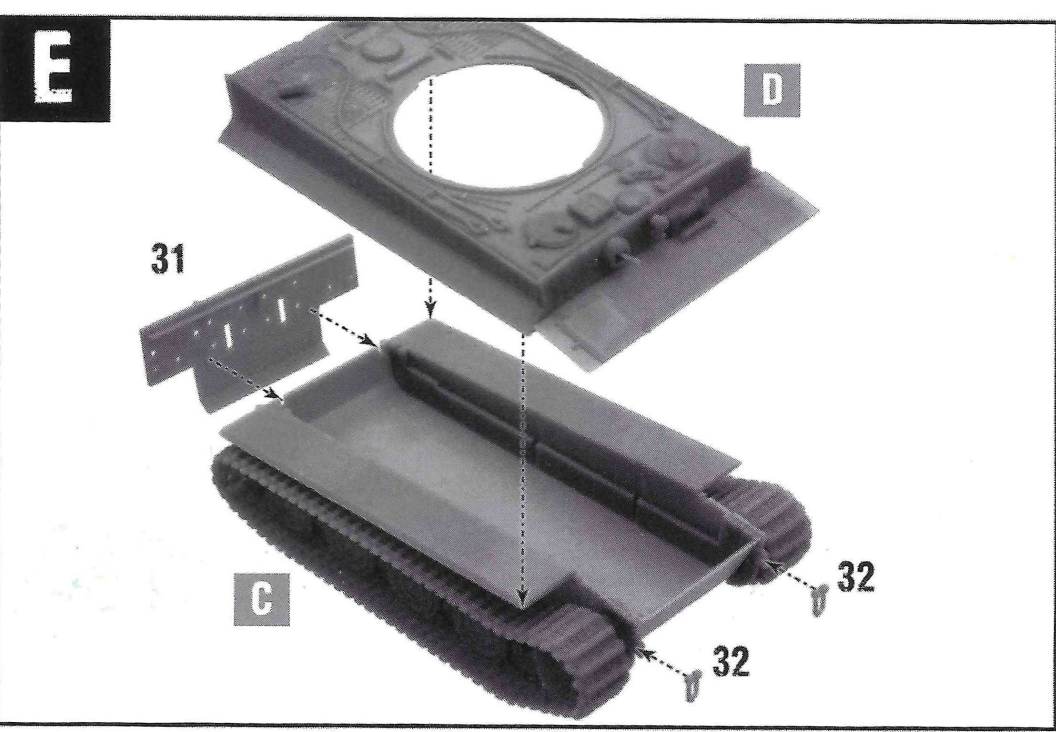


Follow these simple instructions to build your plastic Tiger I tank. We highly recommend doing a dry run at each stage before applying glue.





DO NOT GLUE To allow the barrel to elevate, do not glue part 37 to parts 3 and 4.

