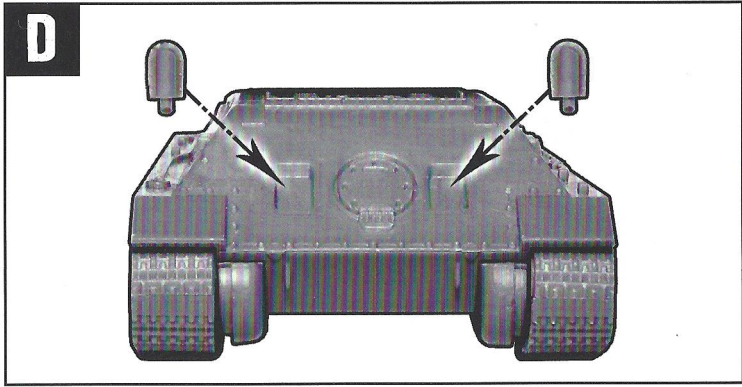
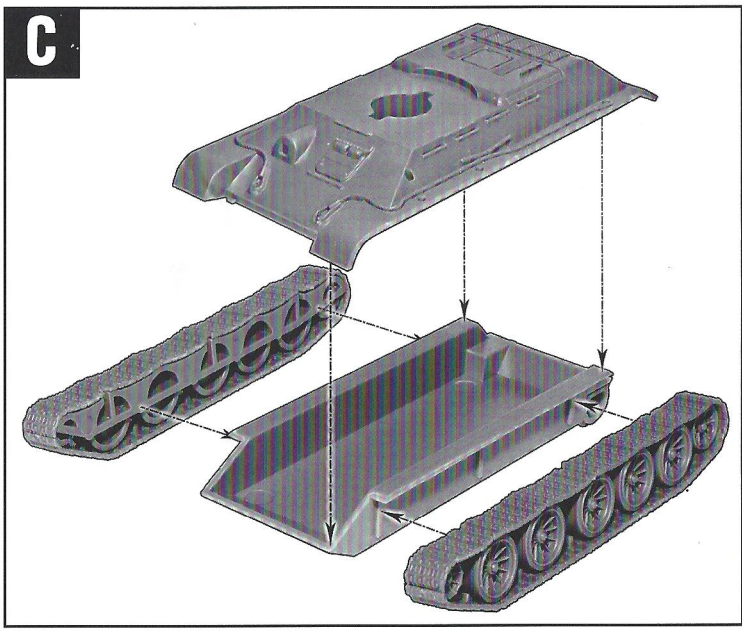
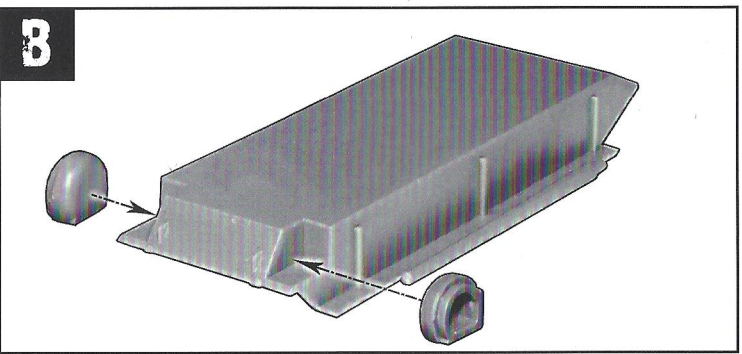
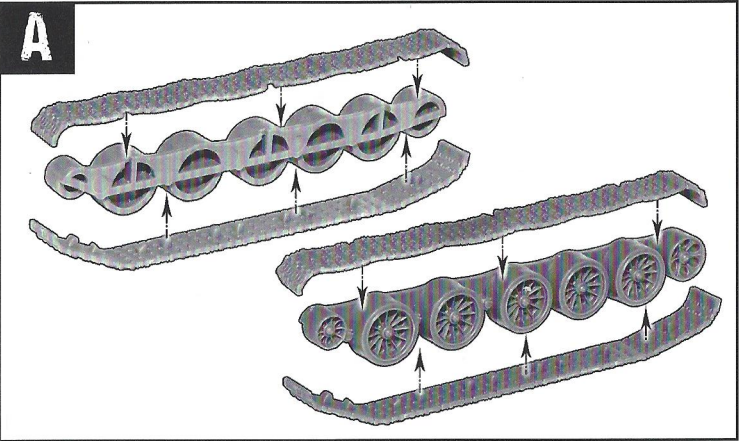
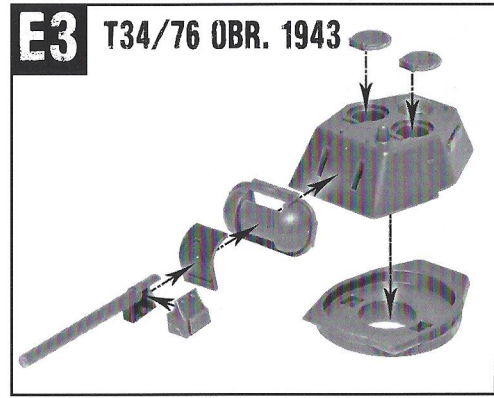
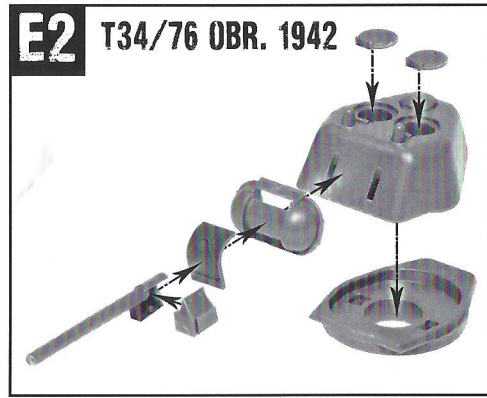
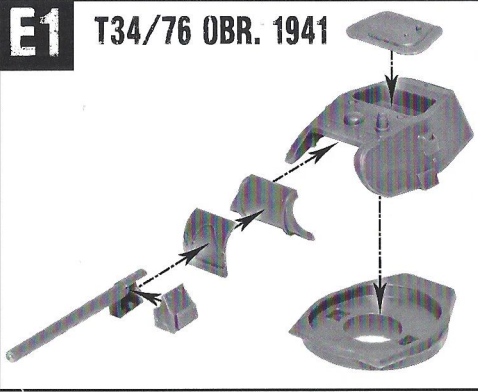


T34/76

Follow these simple instructions to build your plastic T34/76. Where a question mark symbol (?) is shown there are choices for you to make in terms of which optional parts you wish to use.





This kit can be built as one of three different variations of the T-34. Choose the version you would like to build, and follow the relevant diagram above.

