



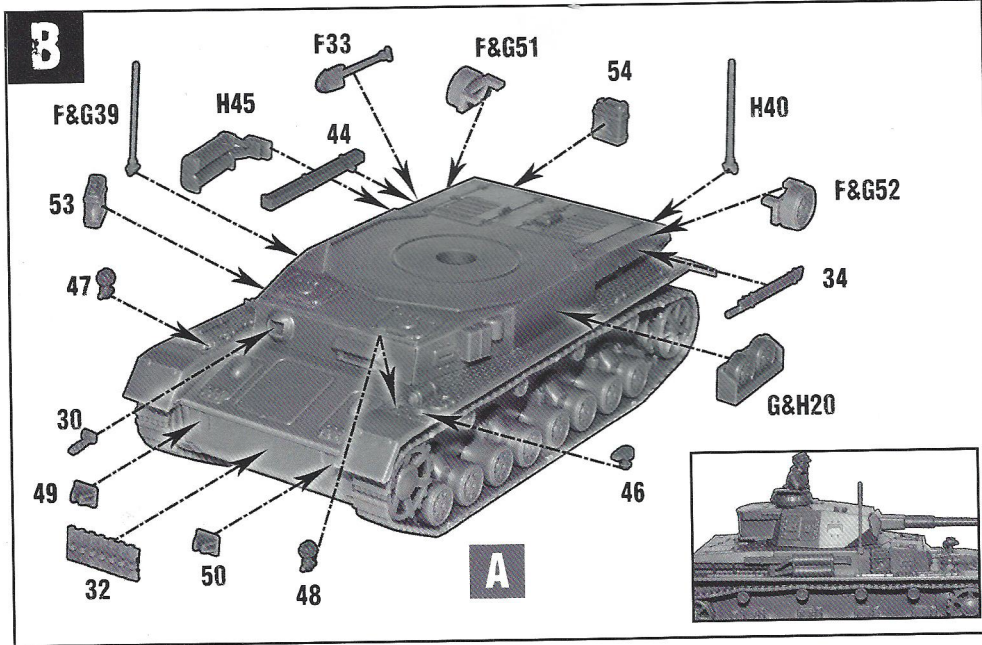
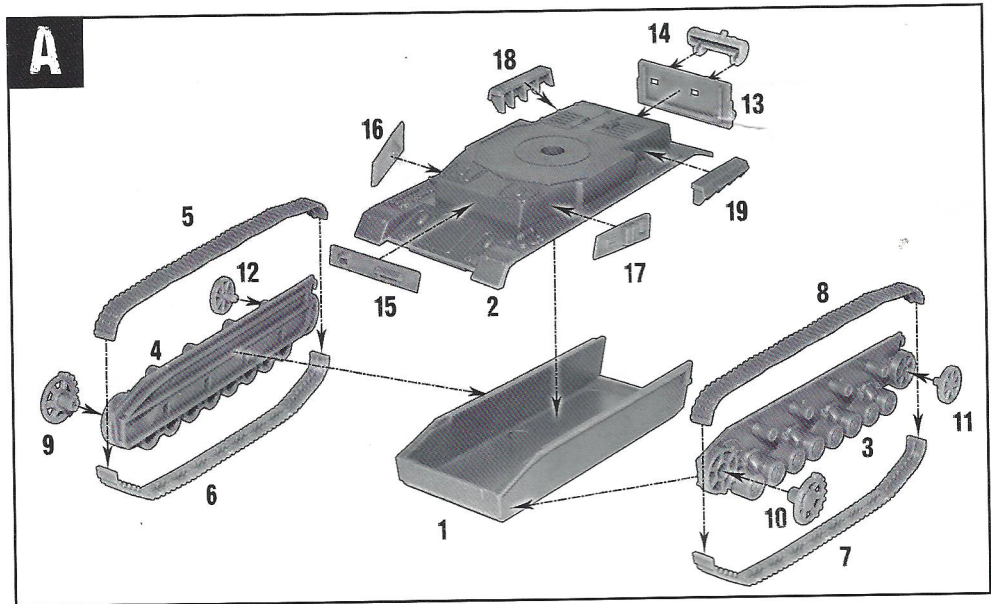
World War II Wargames Rules

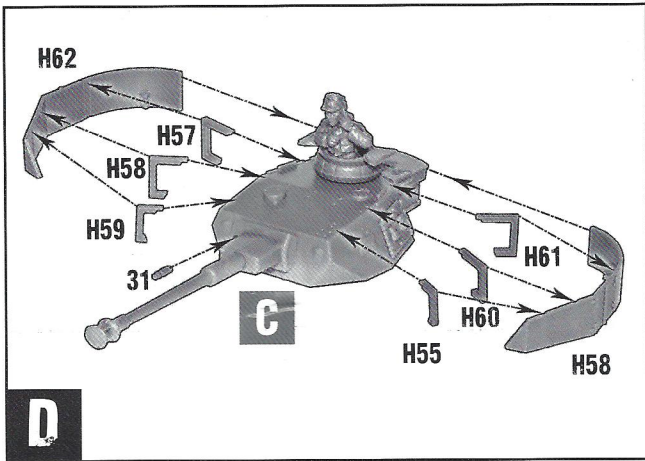
BOLT ACTION

www.boltaction.com

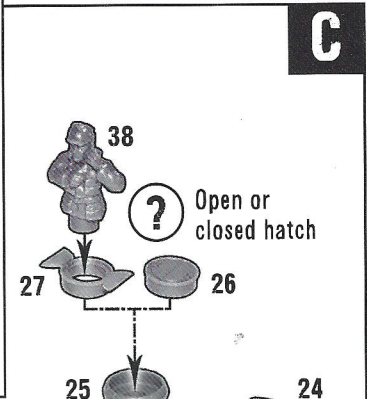
PANZER IV AUSF F1/G/H

Follow these simple instructions to build your plastic Panzer IV tank. We highly recommend doing a dry run at each stage before applying glue.



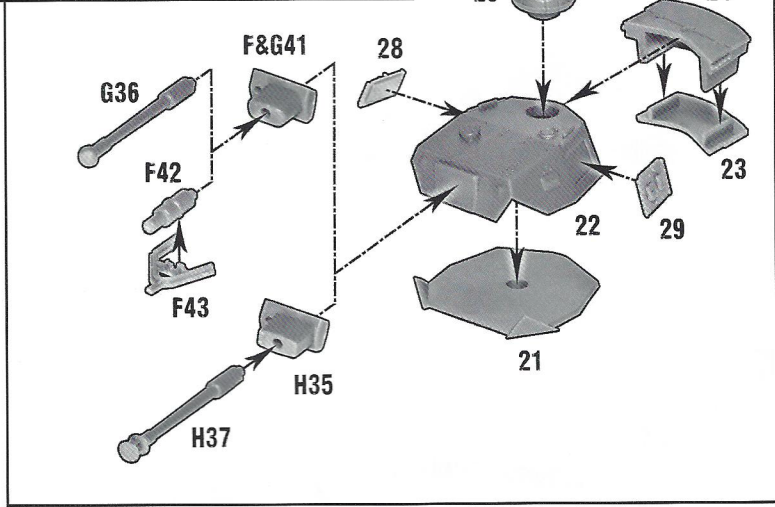


D

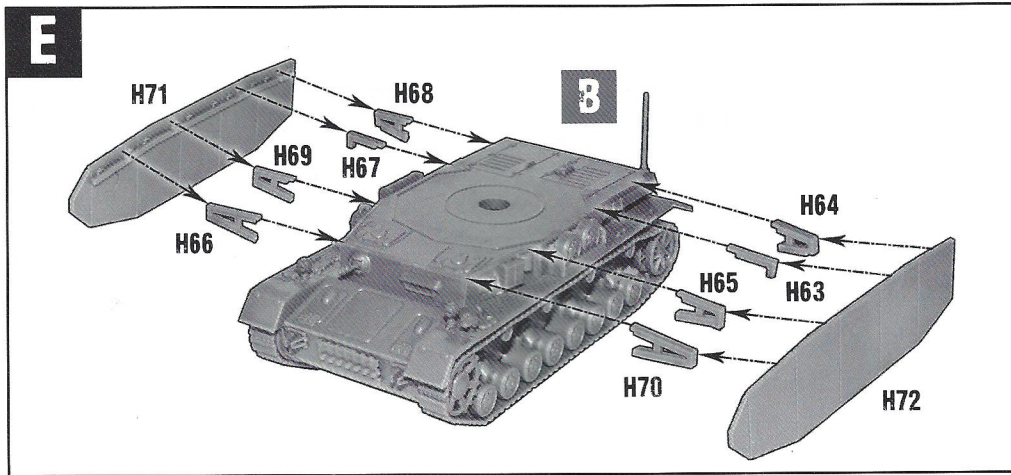


C

This kit can make one of three different variants of this German medium tank: F1, G or H. Where components are for a specific variant they will be labelled with the relevant letter (e.g. G36, F42, H37, etc).



B



E

