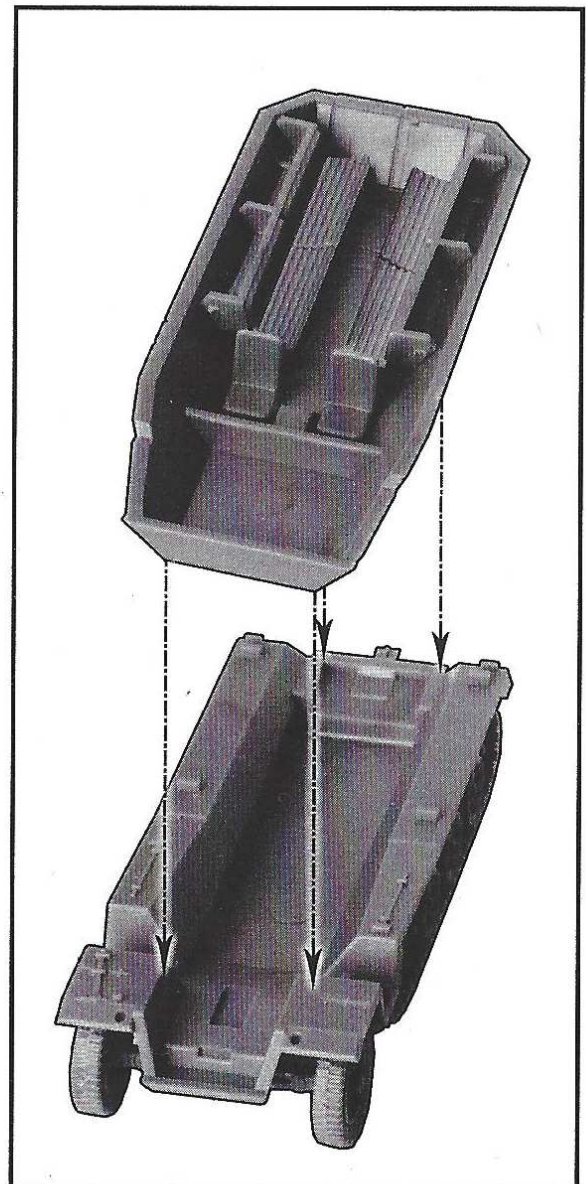
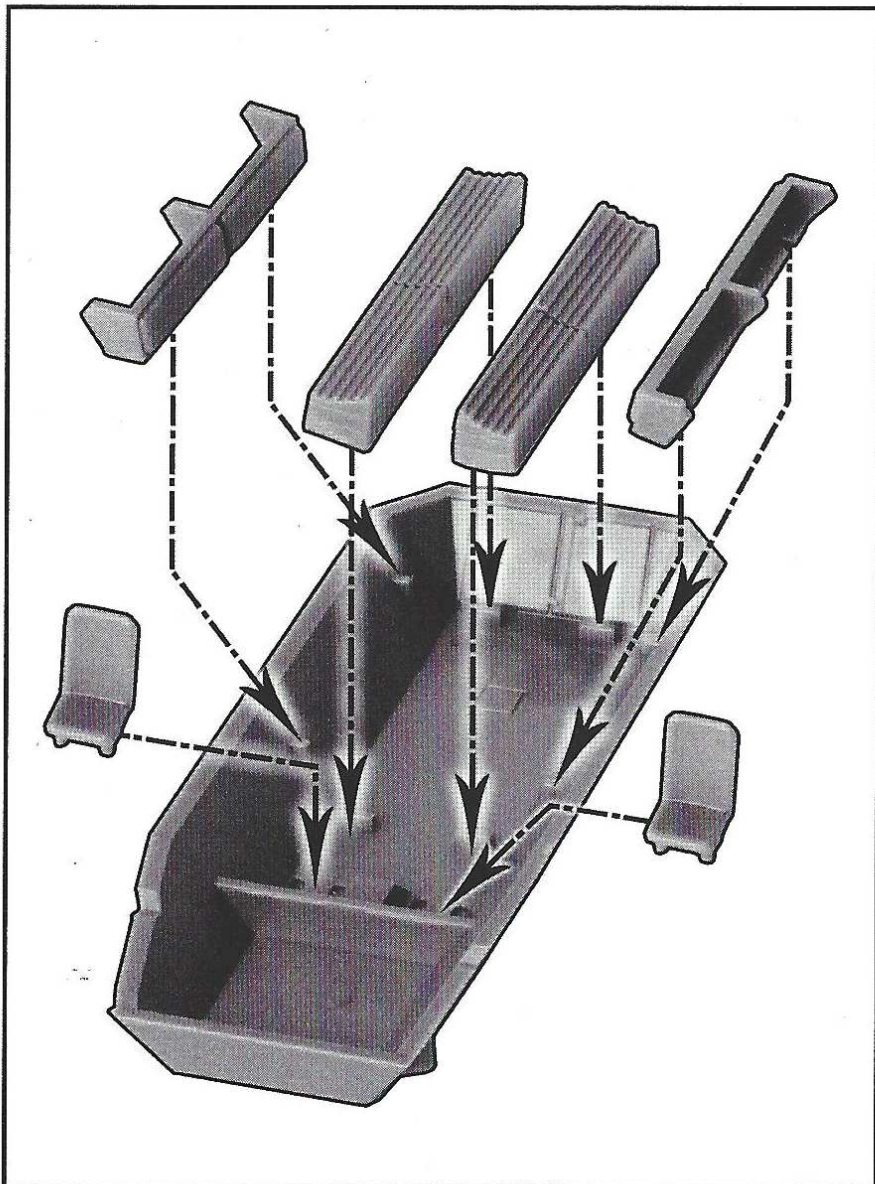
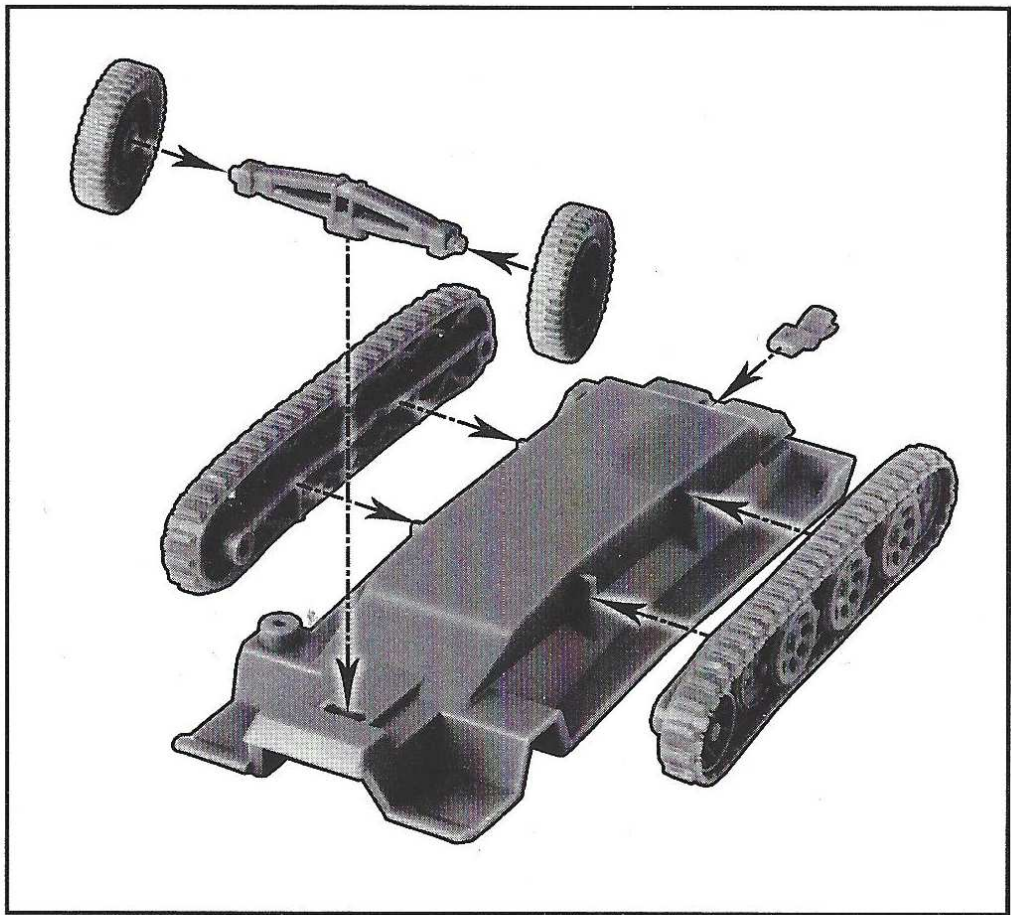
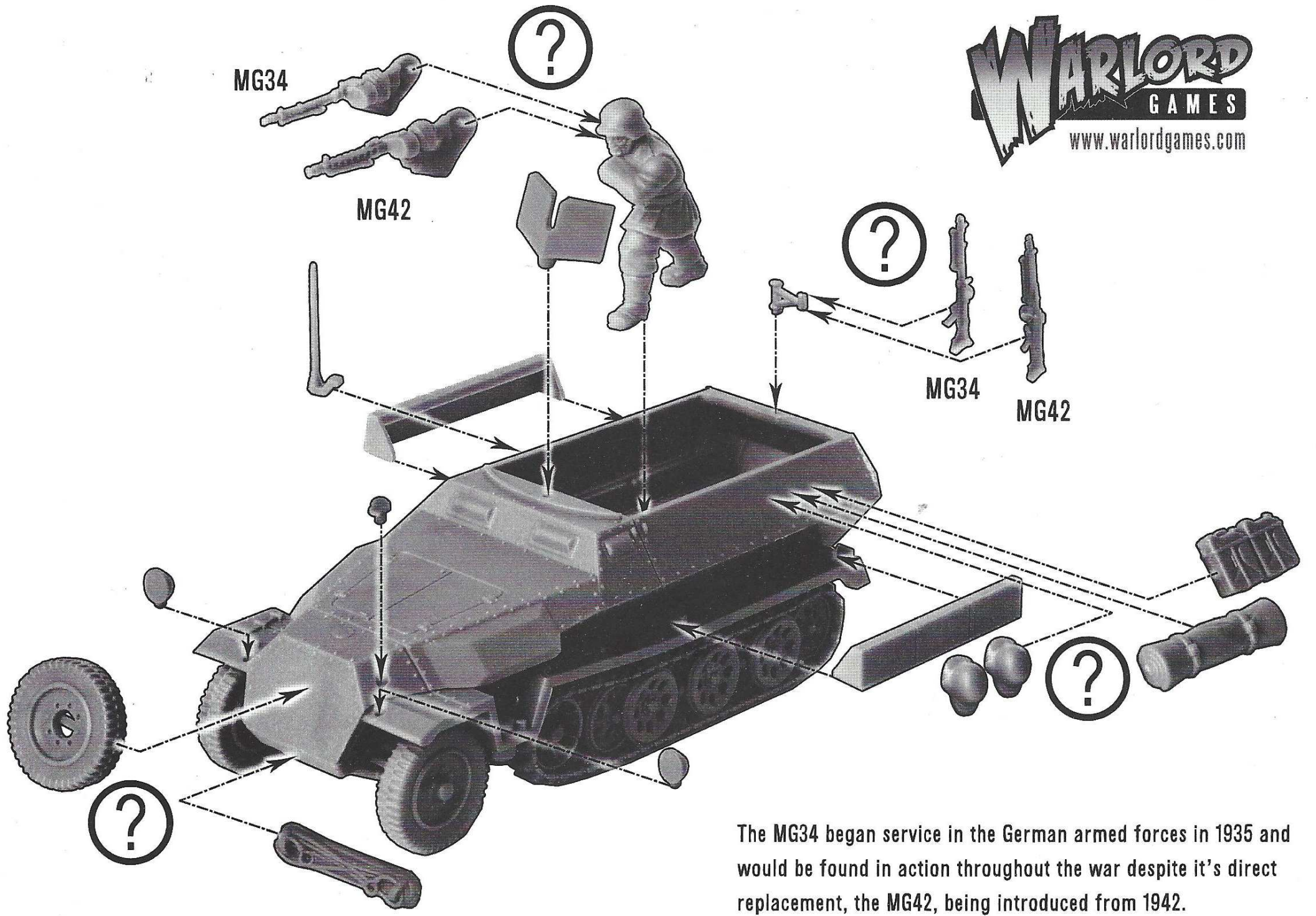


SD.KFZ 251/1 AUSF C 'HANOMAG'

Follow these simple instructions to build your plastic Hanomag. Where a question mark symbol (?) is shown there are choices for you to make in terms of which optional parts you wish to use.





The MG34 began service in the German armed forces in 1935 and would be found in action throughout the war despite it's direct replacement, the MG42, being introduced from 1942.