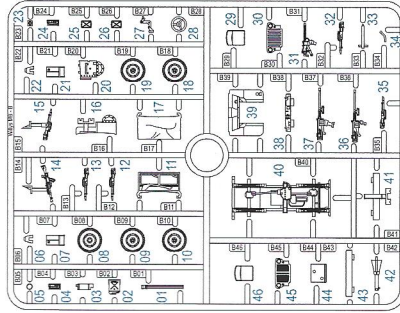
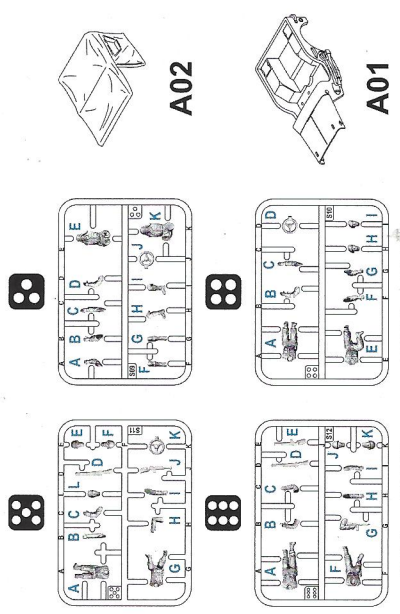


Product Code: 280049 & 280050



**B**



**S09 & S10**  
 Commonwealth Crew (280049)

**S11 & S12**  
 US Crew (280049)



- When you use glue or paint, do not use near a naked flame, and use in a well-ventilated area.  
 - When assembling this kit, tools including knives are used. Extra care should be taken to avoid personal injury.  
**CAUTION** - Keep out of reach of small children.

Read carefully and fully understand the instructions before commencing assembly. Model supplied unpainted. Bases, scenery, glue and paint not included. Meaning of symbols used:



Choices



Optional



No glue



Drill hole



Bend



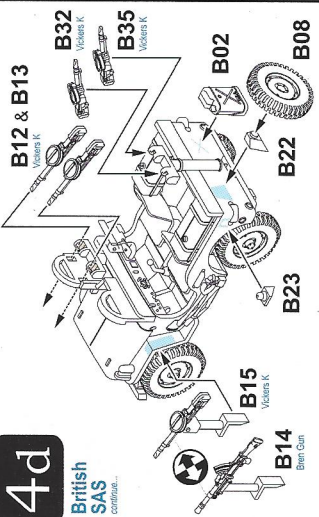
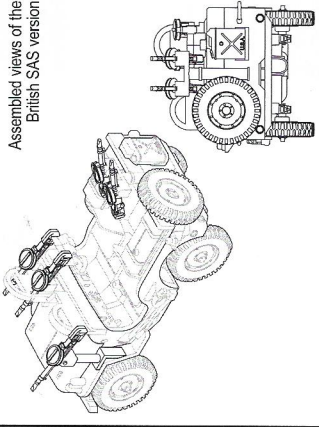
Cut or trim with care

**WARNING:**

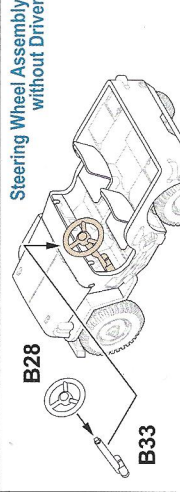
Contains small parts which may be hazardous to children under 14 years of age.



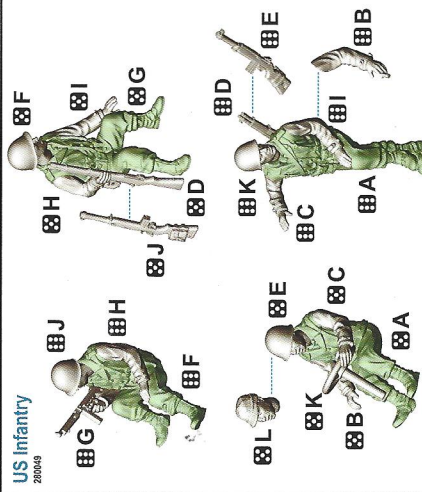
© Rubicon Models Ltd 2017. Rubicon Models, the Rubicon Models Logo are trademarks of Rubicon Models Ltd. All rights reserved.



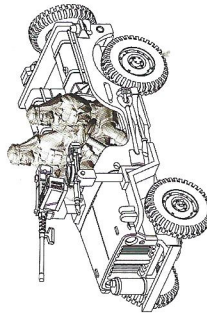
**4d**  
 British SAS  
 280050



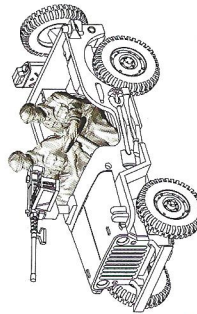
**5**  
 Various Crew  
 Assembly



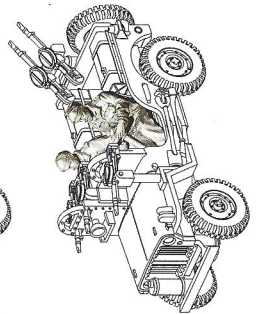
**3a**  
 US Standard  
 280049



**4a**  
 British LRDG  
 280050



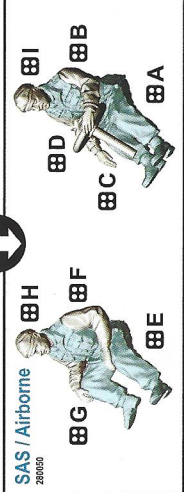
**4b**  
 British Airborne  
 280050



**4c**  
 British SAS  
 280050



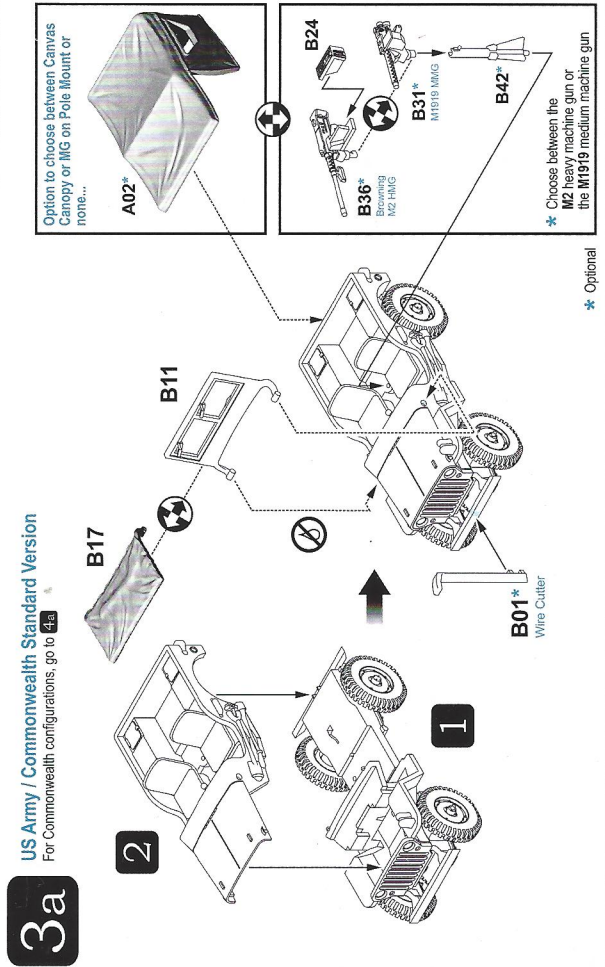
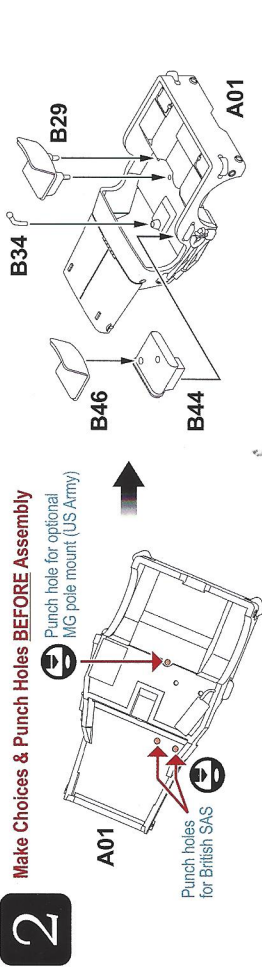
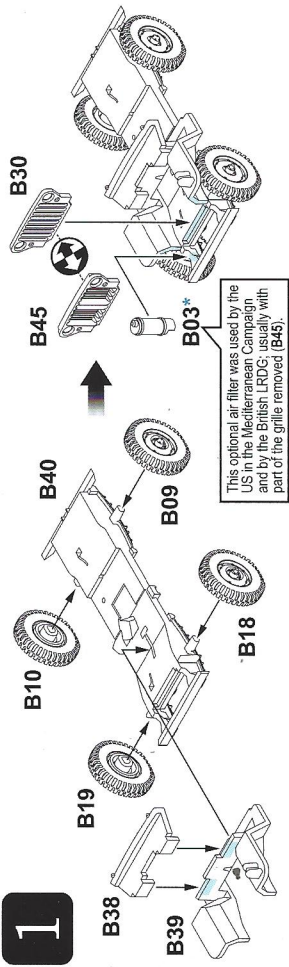
**LRDG**  
 280050



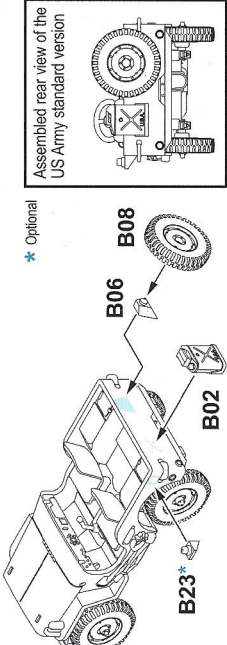
**SAS / Airborne**  
 280050

# IMPORTANT: READ THIS FIRST BEFORE ASSEMBLY

This instruction sheet covers **TWO** different plastic kits: **Willlys MB - US Army** (280049) and **Willlys MB - Commonwealth** (280050). To avoid confusions, please study the assembly instruction carefully and refer to the appropriate sections for assembly.

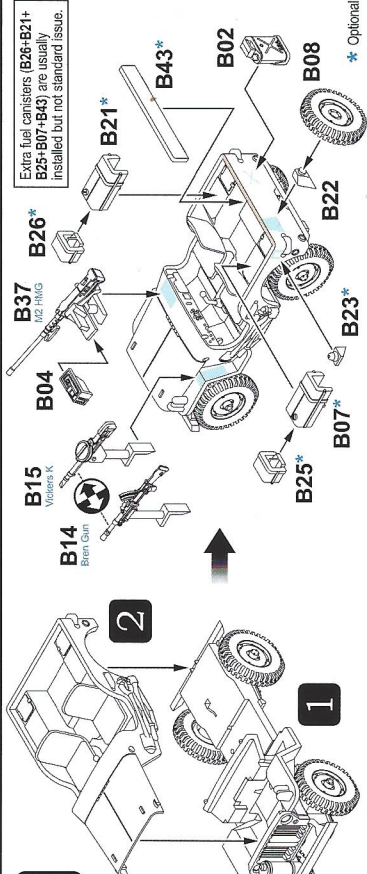


## 3b US Army / Commonwealth Standard Version

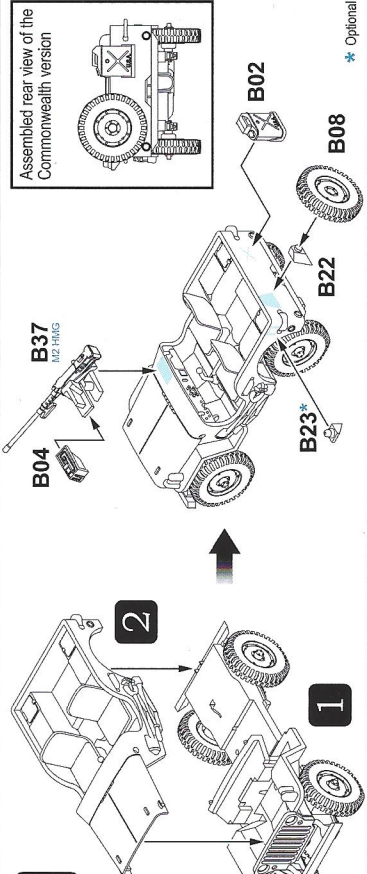


From historical photos, there was no standard position where the Antenna Mounting Bracket (B23) should be placed; usually to the rear of the vehicle.

## 4a British LRDG



## 4b British Airborne



## 4c British SAS

